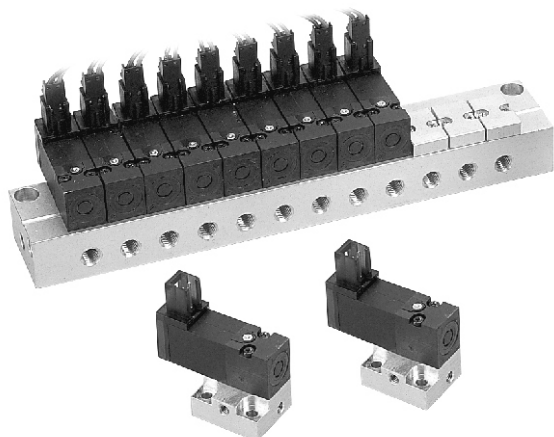


MVDF-100 series

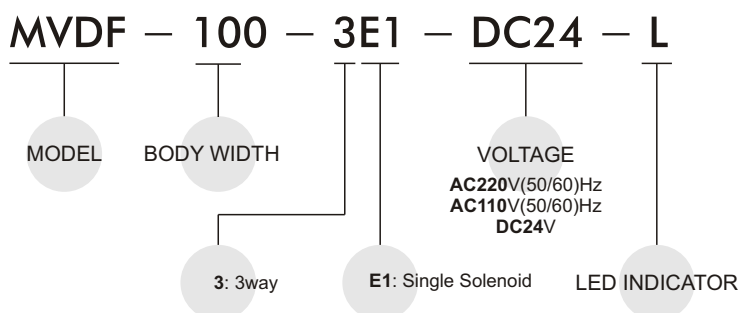
SOLENOID VALVE (direct operated type)



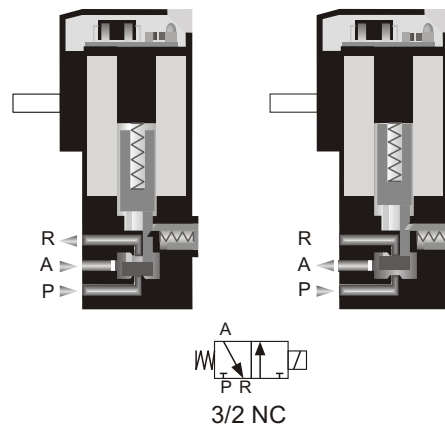
Specification:

Model	MVDF-100-3E1
No. of port	3
No. of position	2
Medium	Air
Operating pressure range	0~8 kgf/cm ²
Effective orifice mm ² (Cv)	0.28 (0.016)
Response time	8 ms
Ambient temperature	-10~+50°C (No freezing)
Lubrication	Not required
Voltage	DC6, 12, 24V
Power consumption	1.2 W (LED indicator)
Available voltage range	±10%
Insulation class	IP 51
Weight	13 g

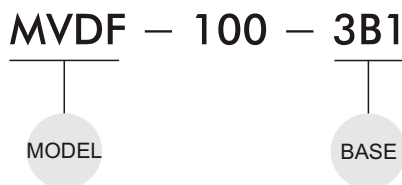
Order example of valve:



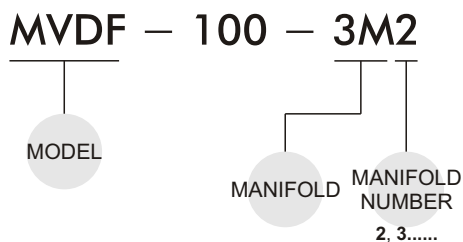
Inside instructure:



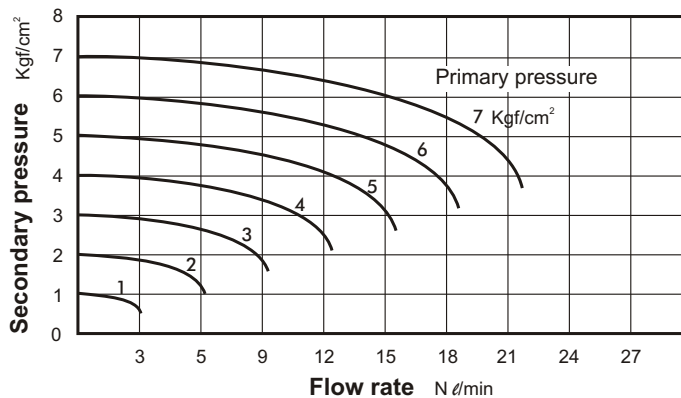
Order example of base:



Order example of manifold:



Flow features:



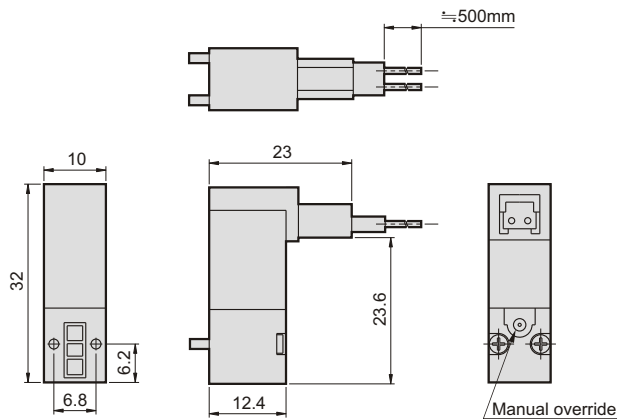
MVDF-100

SOLENOID VALVE (direct operated type)

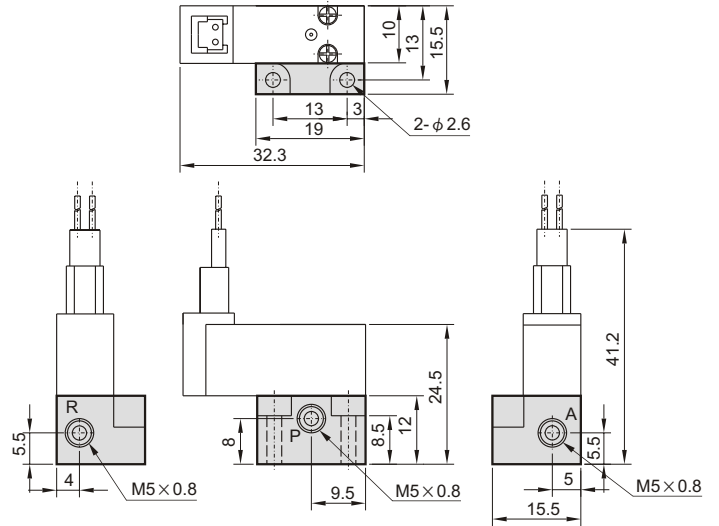


Dimensions:

MVDF-100-3E1

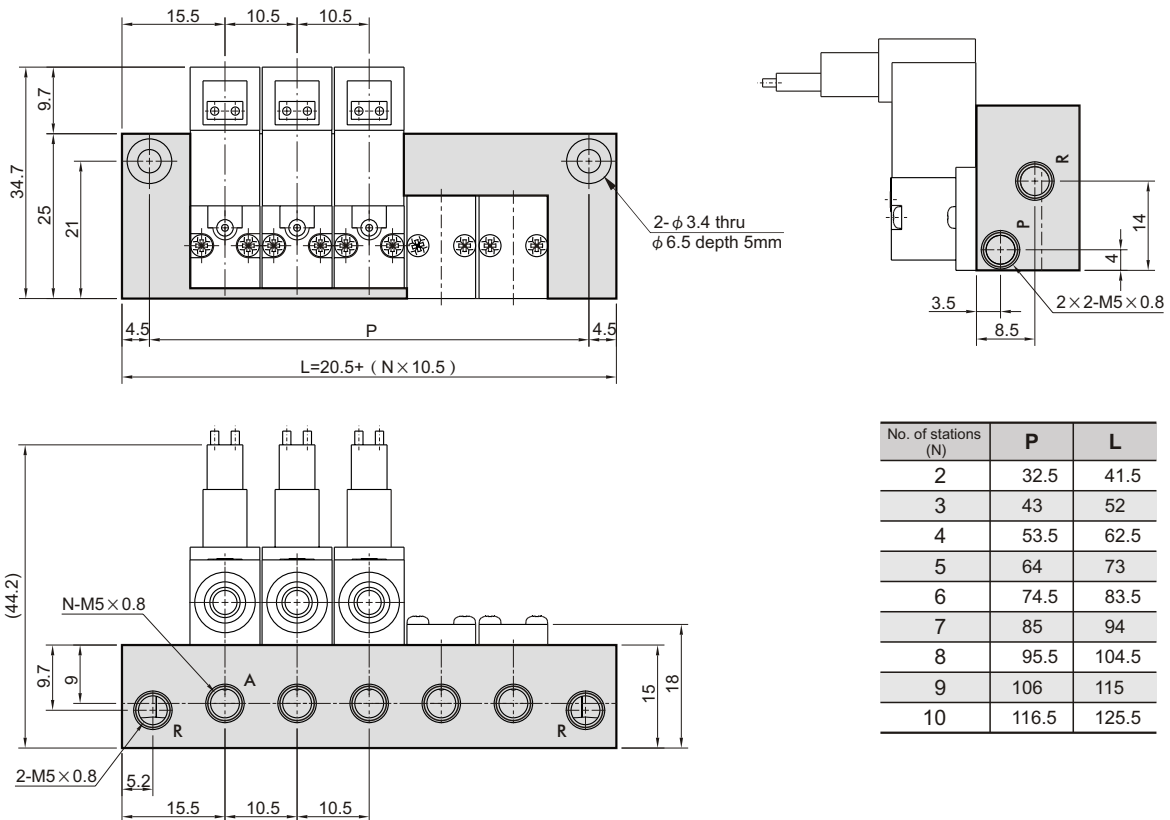


MVDF-100-3B1



Manifold of solenoid valve:

MVDF-100-3M*



No. of stations (N)	P	L
2	32.5	41.5
3	43	52
4	53.5	62.5
5	64	73
6	74.5	83.5
7	85	94
8	95.5	104.5
9	106	115
10	116.5	125.5